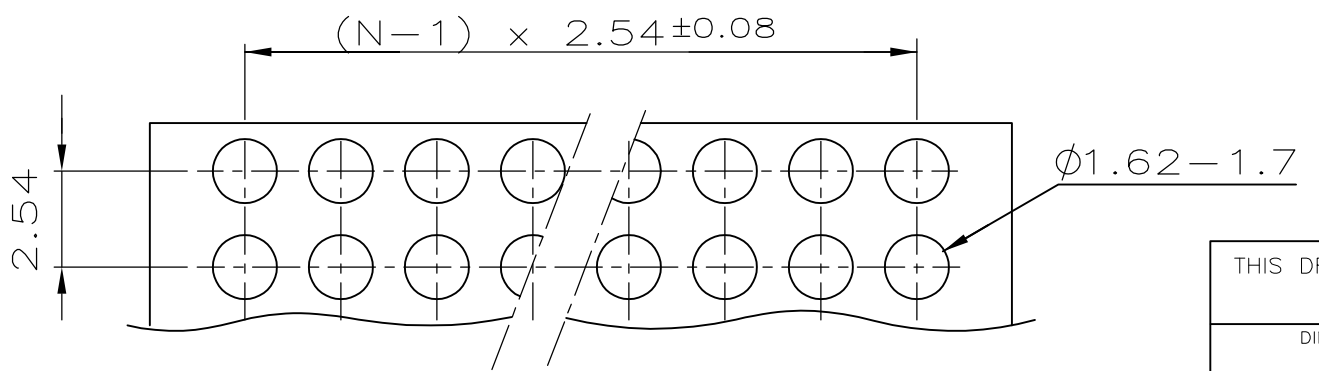
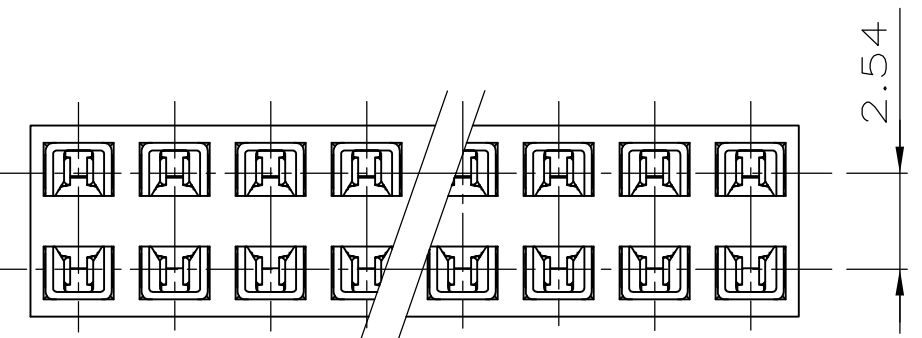
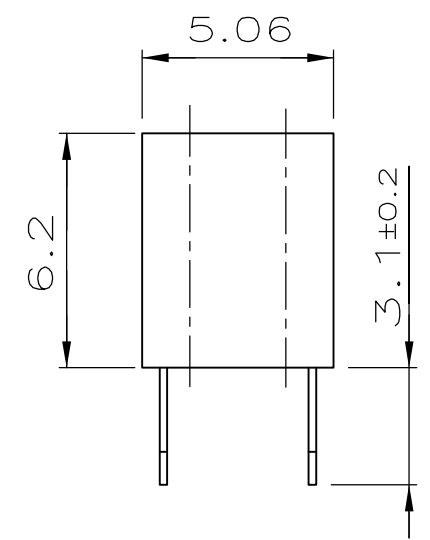
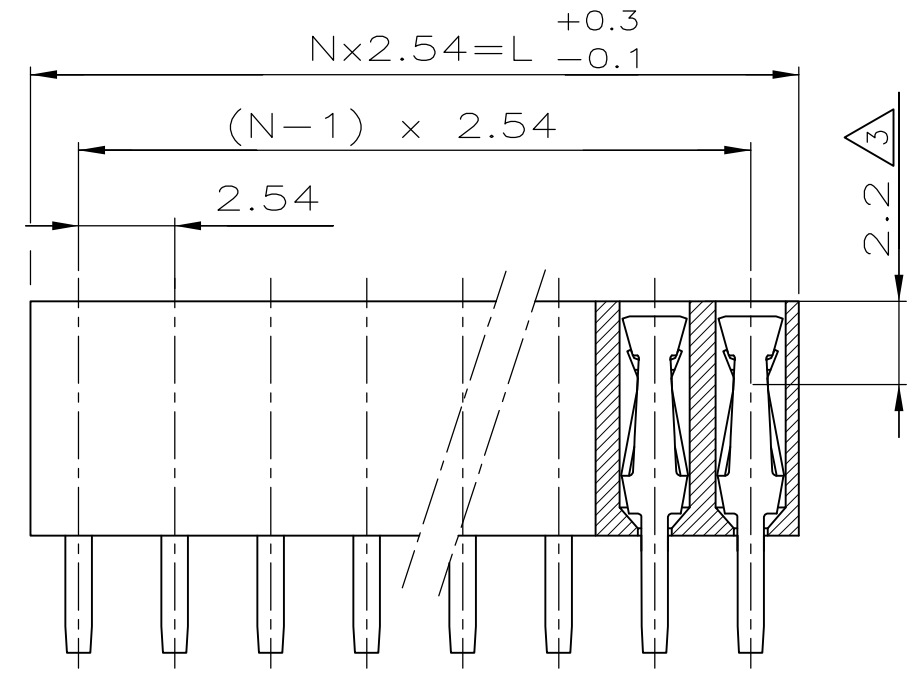


THIS DRAWING IS UNPUBLISHED. RELEASED FOR PUBLICATION
 © COPYRIGHT - By - ALL RIGHTS RESERVED.

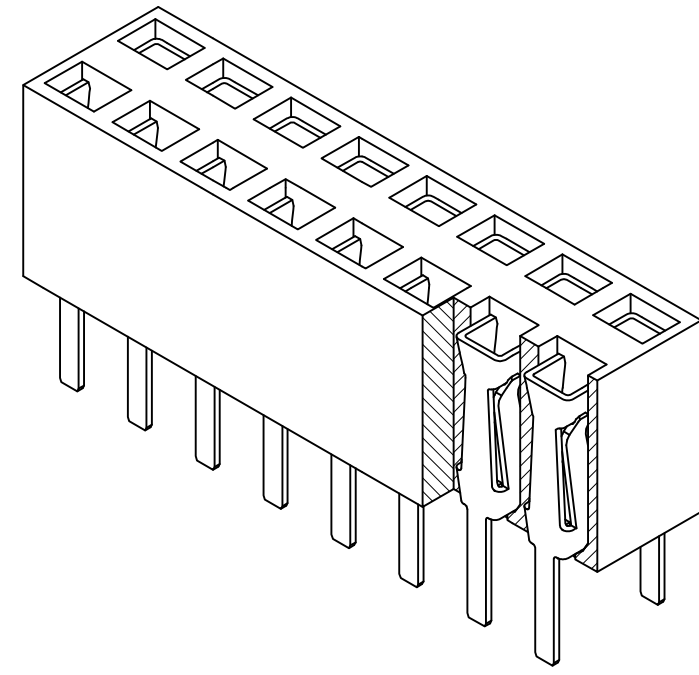
LOC		DIST		REVISIONS			
P	LTR	DESCRIPTION		DATE	DWN	APVD	
	E	Hsg mat change to readily available PBT resin		06JAN2014	PS	JK	

NOTES:

- 1. PLATING: UNDERCOATING: 1,3µm Ni.
 AT CONT.PLACE: 0,8µm Au.
 AT SOLDER-TYNES: 3.0 - 5.0µm Sn.
- 2. MATES WITH 0,63 SQUARE/ROUND MODU POSTS.
- 3. CONTACT-POINT.
- 4. RECOMMENDED P.C.BOARD-THICKNESS: 1.6mm.
- 5. HV100 CONNECTOR PACKED IN ANTI-STATIC BLISTER TRAY.
- 6. OBSOLETE PARTS: OBSOLETE CIS STREAMLINING PER D.RENAUD/D.SINISI



P.C.-BOARD HOLE-PATTERN



POS. PER ROW 'N'	L	PART-NO.
-	-	-
2	5.08	215 315 -2
3	7.62	-3
4	10.16	-4
5	12.70	-5
OBSOLETE 6	15.24	-6
7	17.78	-7
OBSOLETE 8	20.32	-8
OBSOLETE 9	22.86	-9
OBSOLETE 10	25.40	-0
11	27.94	1-
OBSOLETE 12	30.48	1-
13	33.02	1-
OBSOLETE 14	35.56	1-
15	38.10	1-
16	40.64	1-
OBSOLETE 17	43.18	1-
OBSOLETE 18	45.72	1-
19	48.26	1-
OBSOLETE 20	50.80	2-
21	53.34	2-
22	55.88	2-
23	58.42	2-
24	60.96	2-
25	63.50	2-
26	66.04	2-
27	68.58	2-
28	71.12	2-
29	73.66	2-
30	76.20	3-
OBSOLETE 31	78.74	3-
OBSOLETE 32	81.28	3-
33	83.82	3-
34	86.36	3-
35	88.90	3-
OBSOLETE 36	91.44	3- 215 315 -6

1	CuSn	REC. CONTACT
GREEN	PBT	REC. HOUSING
FINISH	MATERIAL	DESCRIPTION

THIS DRAWING IS A CONTROLLED DOCUMENT.		DWN L.V.D.HEYDEN 20.05.86	STE TE Connectivity	
DIMENSIONS: mm		CHK -		
TOLERANCES UNLESS OTHERWISE SPECIFIED:		APVD -	NAME HV 100 VERTICAL CONNECTOR DUAL ROW, 6,2mm HEIGHT, BOTTOM/TOP ENTRY, GOLD, MAX. 2x36 POSITIONS.	
0 PLC ±0.15		PRODUCT SPEC -		
1 PLC ±-		APPLICATION SPEC 108-19056	SIZE	CAGE CODE
2 PLC ±-		WEIGHT -	A3	00779
3 PLC ±-		CUSTOMER DRAWING	DRAWING NO	C-215315
4 PLC ±-			RESTRICTED TO	-
ANGLES ±-			SCALE	5:1
FINISH SEE TABLE			SHEET	1 OF 1
MATERIAL SEE TABLE			REV	E